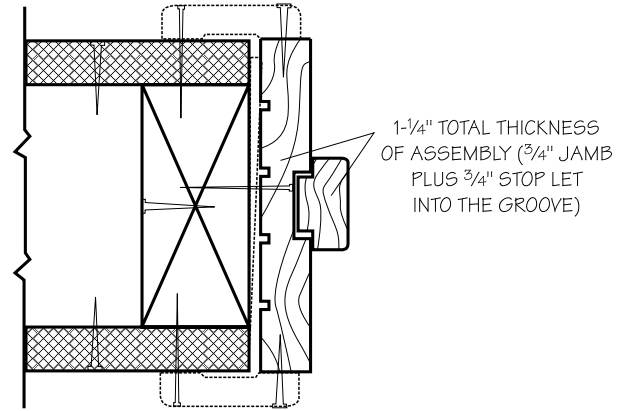
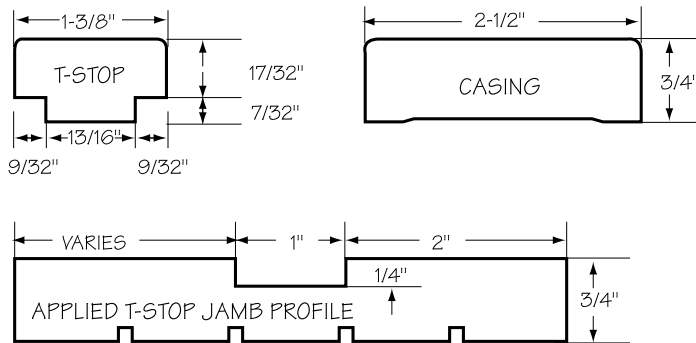


Wood Frames

Topic	Page
Non-rated & 1/3 Hour Wood Jamb Sets	3

Non Rated & 1/3 Hour Solid Wood Jamb Sets

(Neutral or Positive Pressure)



Applied T-Stop Profile shown in one hour steel stud wall.

Product Features

Species	Standard species for 1/3 hour rated frames are Red Oak, White Oak, Birch, Cherry, Mahogany, and Maple. On special order, any commercially available species with density equal to or greater than 33.4 lbs/cubic ft. Any species can be specified for non rated frames.
Sizes	Maximum for 1/3 hour label is 4'0" x 9'0" (1220 x 2740mm) for single doors and 8'0" x 9'0" (2440 x 2740mm) for regular swing pair doors. Non-label frames are available in larger sizes.
Wall thickness	Minimum 3 3/4" (95mm). Jambs may be made from edge-glued lumber when wall thickness exceeds width of available lumber.
Wall conditions	Wood stud, steel stud, or masonry.
Profiles	Applied T-Stop (ploughed-in-stop) standard.
Casing	Standard or custom profile casing available with frames. Minimum size 1/2" x 1 1/2" (13 x 38mm), any species with density equal to or greater than Mahogany (33.4PCF). Casing may be supplied by others but must meet minimum size and density requirements. Non rated frames have no restrictions for the casing.
Hardware machining	Available with hinge and strike machining as well as other hardware preparation. Fire rated frames must be machined for hardware at the factory or by a licensed machiner before they can be labeled.
Finishing	Available in finishes with performance characteristics equivalent to AWI System TR-6, standard or custom colors. Also available primed or sealed only.
Warranty	For interior, life of original installation. Exterior applications not recommended or warranted.
Industry Standard	Architectural Woodwork Institute Quality Standards, Section 900, Frames and Jambs, Custom Grade.
Label service	20 minute listed and labeled by Inchcape Testing Services – Warnock Hersey. And UL (Positive Pressure) UBC 7-2-1997.
Installation instructions	Jamb and head installation: 2" x #12 FHWS 24" (600mm) on center at stop dado. One each 2" x #12 FHWS at each hinge and two each 2 1/2" x #10 FHWS at lock strike. Maximum spacing between back of frame and stud is 1/4" (6mm). Spacing can be increased to 1/2" (13mm) maximum if gap is packed with fiberglass with no through openings. One shim required at each hinge and at strike. Positive pressure may not exceed 1/4" (6mm) gap between frame and stud, and must be packed with fiberglass. T-Stop installation: Nailed with 4d finishing nails 12" (300mm) on center. Casing installation: Minimum attachment of casing is 4d finishing nails 12" (300mm) on center into jamb and head and 5d finishing nails 12" (300mm) on center into wall. Casing may have various profiles. Minimum dimensions 1/2" thick x 1 1/2" wide (13 x 38mm), Mahogany (33.4PCF) or denser species. Hardware: Butt hinges per NFPA 80, 1 each for every 30" (760mm) of height. Balance of hardware a function of door approval (must be self closing with positive latching device).

